

RIGOL

Declassification Guide



Digital Oscilloscope

May 2012

RIGOL Technologies, Inc.

DS2000 Series

DS2000 series digital oscilloscope consists of DS2202, DS2102 and DS2072.

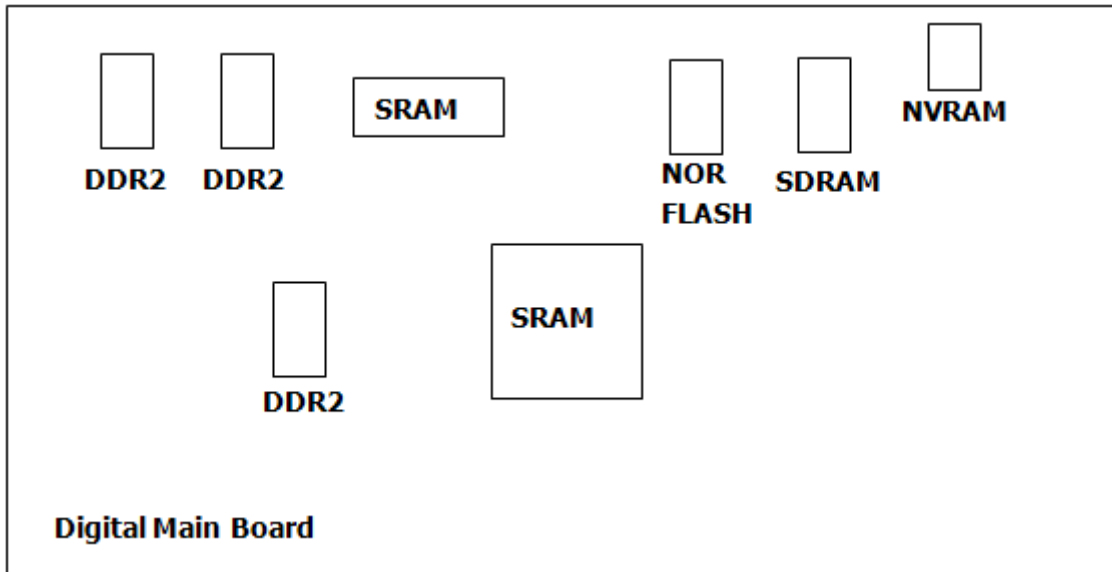
Instrument Memory

This section contains information on the types of memory available in your instrument. It explains the size of memory, how it is used, its location, volatility and the clearing procedure.

Instrument memory:

Memory type and size	Writable during normal operation	Data retained when powered off	Purpose/ contents	Data input method	Location in instrument and remarks	Sanitization procedure
SDRAM 32MB	Yes	No	Program	Boot	Main board in CPU area	Cycle power
NOR FLASH 16MB	No	Yes	Firmware, Bin, Internal saving	Firmware update, Internal saving, ref/setup /pf	Main board in CPU area	Security clear or save files to C:
FRAM 2kB	Yes	Yes	Settings	Program	Main board in CPU area	Default
DDR2 32MB*16B *3	Yes	No	Acquire memory	Acquire system	Main board in acquire area	Cycle power
SRAM 512kB*36B *2	Yes	No	Display memory	Display system	Main board in display area	Cycle power

Position of Instrument Memory on Main Board



Security Clear Procedure

To clear the memories, press **Storage** → **Disk.Manage** →  → **Security Clear** → **OK** and the system will be restored to the default settings.

DS4000 Series

DS4000 series digital oscilloscope consists of DS4054, DS4052, DS4034, DS4032, DS4024, DS4022, DS4014 and DS4012.

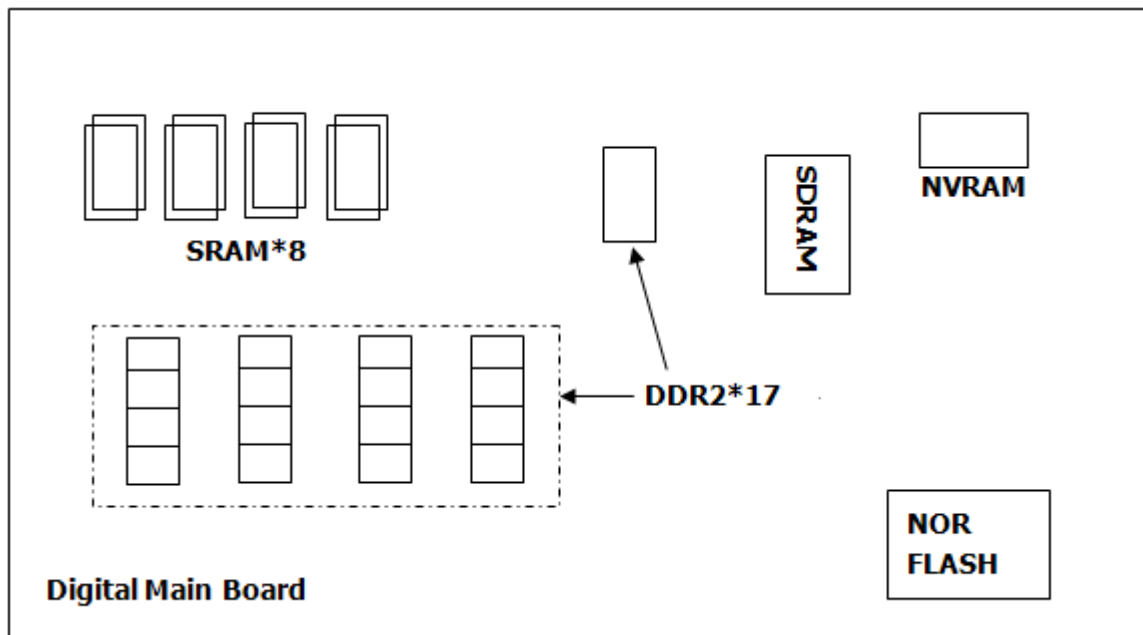
Instrument Memory

This section contains information on the types of memory available in your instrument. It explains the size of memory, how it is used, its location, volatility and the clearing procedure.

Instrument memory:

Memory type and size	Writable during normal operation	Data retained when powered off	Purpose/ contents	Data input method	Location in instrument and remarks	Sanitization procedure
SDRAM 32MB	Yes	No	Program	Boot	Main board in CPU area	Cycle power
NOR FLASH 16MB	Yes	Yes	Firmware, Bin, Internal saving	Firmware update, Internal saving ref/setup/ pf	Main board in CPU area	Security clear or Save files to C:
FRAM 2kB	Yes	Yes	Settings	Program	Main board in CPU area	Default
DDR2 32MB*16B *17	Yes	No	Acquire memory	Acquire system	Main board in acquire area	Cycle power
SRAM 512kB*36 B*8	Yes	No	Display memory	Display system	Main board in display area	Cycle power

Position of Instrument Memory on Main Board



Security Clear Procedure

To clear the memories, press **Storage** → **Disk.Manage** →  → **Security Clear** → **OK** and the system will be restored to the default settings.

DS6000 Series

DS6000 series digital oscilloscope consists of DS6104, DS6102, DS6064 and DS6062.

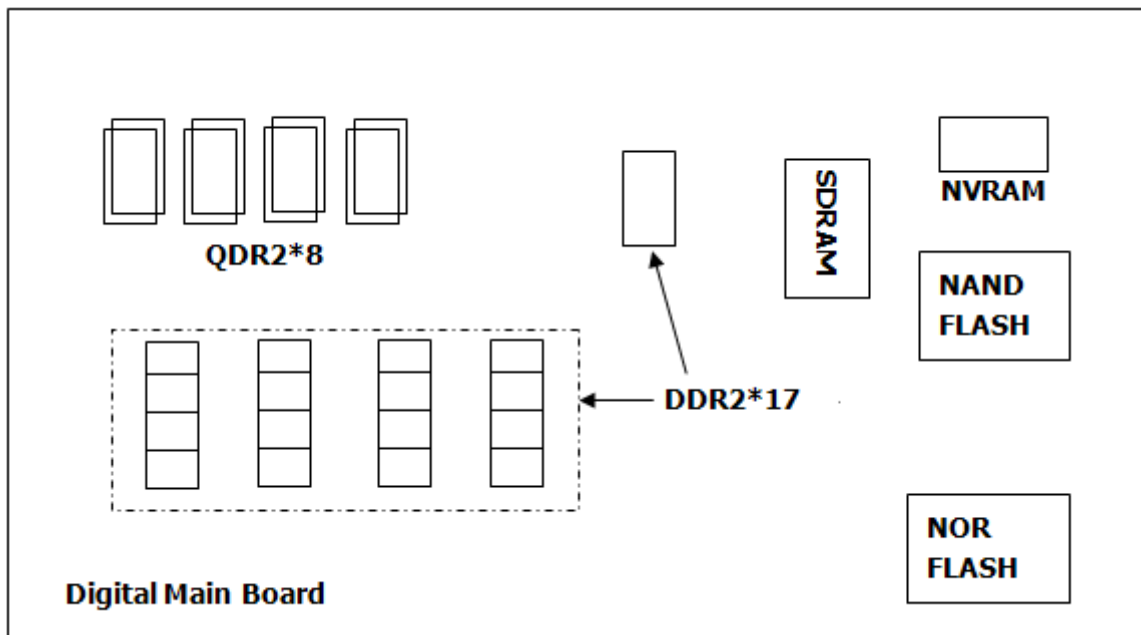
Instrument Memory

This section contains information on the types of memory available in your instrument. It explains the size of memory, how it is used, its location, volatility and the clearing procedure.

Instrument memory:

Memory type and size	Writable during normal operation	Data retained when powered off	Purpose/ contents	Data input method	Location in instrument and remarks	Sanitization procedure
SDRAM 32MB	Yes	No	Program	Boot	Main board in CPU area	Cycle power
NAND FLASH 1GB	Yes	Yes	Internal savings, setup/wfm/ref /pf/trc	Internal saving	Main board in CPU area	Save files to internal C:
NOR FLASH 16MB	No	Yes	Firmware, Bin	Firmware update	Main board in CPU area	No user data
FRAM 2kB	Yes	Yes	Setting	Program	Main board in CPU area	Default
DDR2 32MB*16 B*17	Yes	No	Acquire memory	Acquire system	Main board in acquire area	Cycle power
QDR2 22MB*18 B*8	Yes	No	Display memory	Display System	Main board in draw area	Cycle power

Position of Instrument Memory on Main Board



Security Clear Procedure

To clear the memories, press **SAVE** → **Disk.Manage** →  → **Security Clear** → **OK** and the system will be restored to the default settings.

DS1000B Series

DS1000B series digital oscilloscope consists of DS1204B, DS1104B and DS1074B.

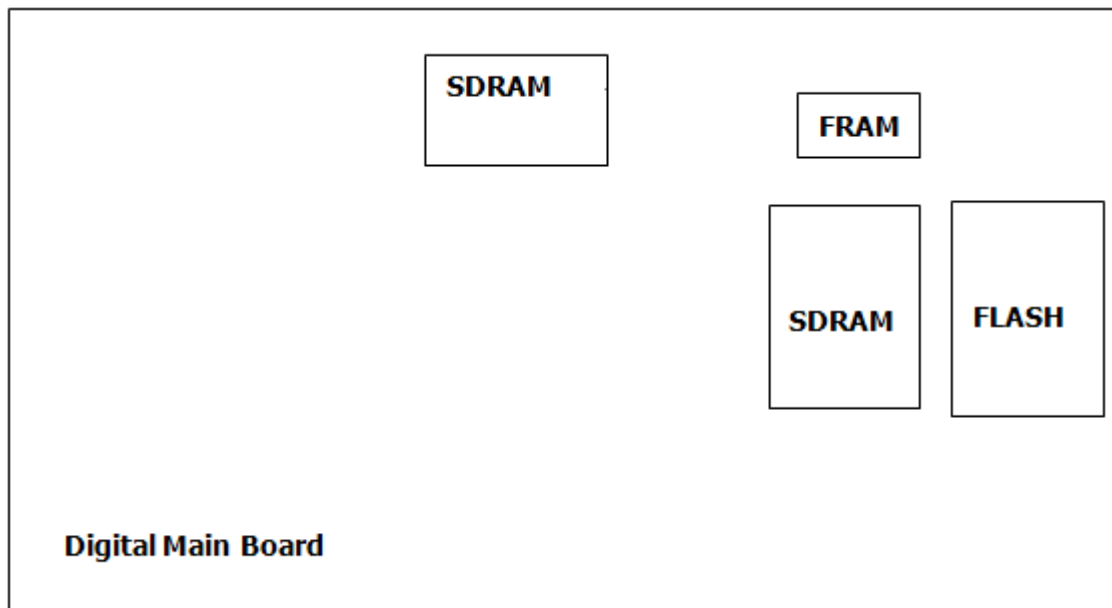
Instrument Memory

This section contains information on the types of memory available in your instrument. It explains the size of memory, how it is used, its location, volatility and the clearing procedure.

Instrument memory:

Memory type and size	Writable during normal operation	Data retained when powered off	Purpose/ contents	Data input method	Location in instrument and remarks	Sanitization procedure
SDRAM 16MB	Yes	No	Program	Boot	Main board in CPU area	Cycle power
NOR FLASH 8MB	No	Yes	Firmware, Bin, Internal saving	Firmware update, Internal saving, ref/setup /pf /record /wfm	Main board in CPU area	Save files to inter
FRAM 1kB	Yes	Yes	Settings	Program	Main board in CPU area	Default
SDRAM 16MB	Yes	No	Drawing	Draw	Main board in display area	Cycle power

Position of Instrument Memory on Main Board



DS1000CA Series

DS1000CA digital oscilloscope consists of DS1302CA, DS1202CA, DS1102CA and DS 1072CA.

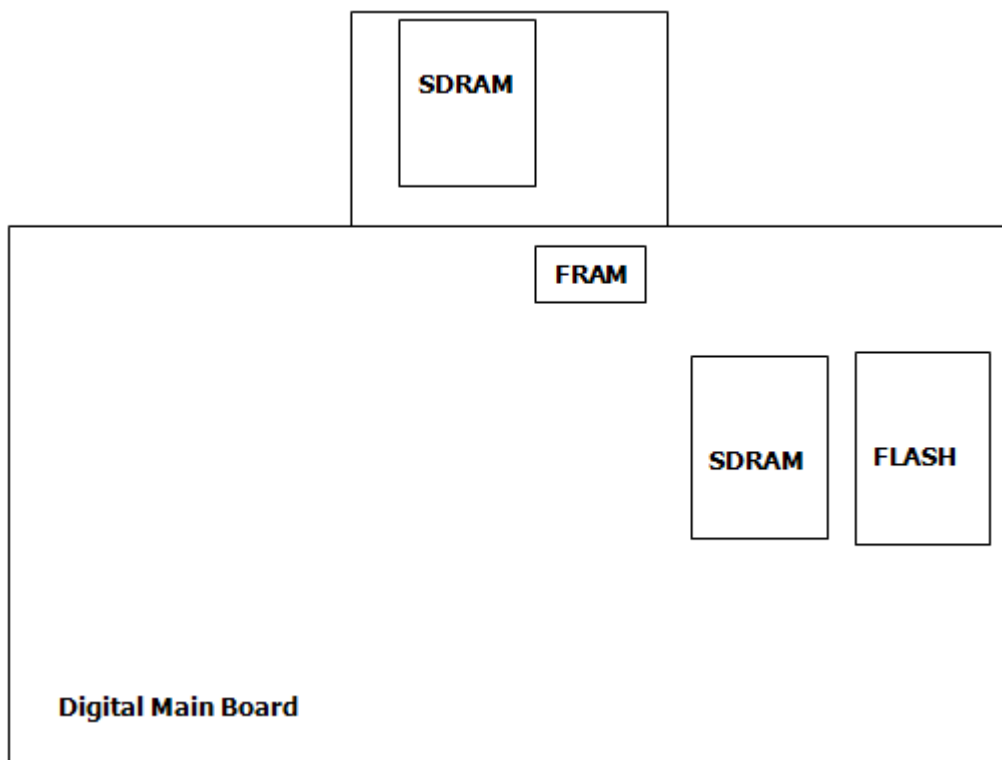
Instrument Memory

This section contains information on the types of memory available in your instrument. It explains the size of memory, how it is used, its location, volatility and the clearing procedure.

Instrument memory:

Memory type and size	Writable during normal operation	Data retained when powered off	Purpose/ contents	Data input method	Location in instrument and remarks	Sanitization procedure
SDRAM 16MB	Yes	No	Program	Boot	Main board in CPU area	Cycle power
NOR FLASH 8MB	No	Yes	Firmware, Bin, Internal saving	Firmware update, Internal saving, ref/setup/ pf/record /wfm	Main board in CPU area	Save files to inter
FRAM 1kB	Yes	Yes	Settings	Program	Main board in CPU area	Default
SDRAM 16MB	Yes	No	Drawing	Draw	Main board in display area	Cycle power

Position of Instrument Memory on Main Board



DS1000E Series

DS1000E series digital oscilloscope consists of DS1102E and DS1052E.

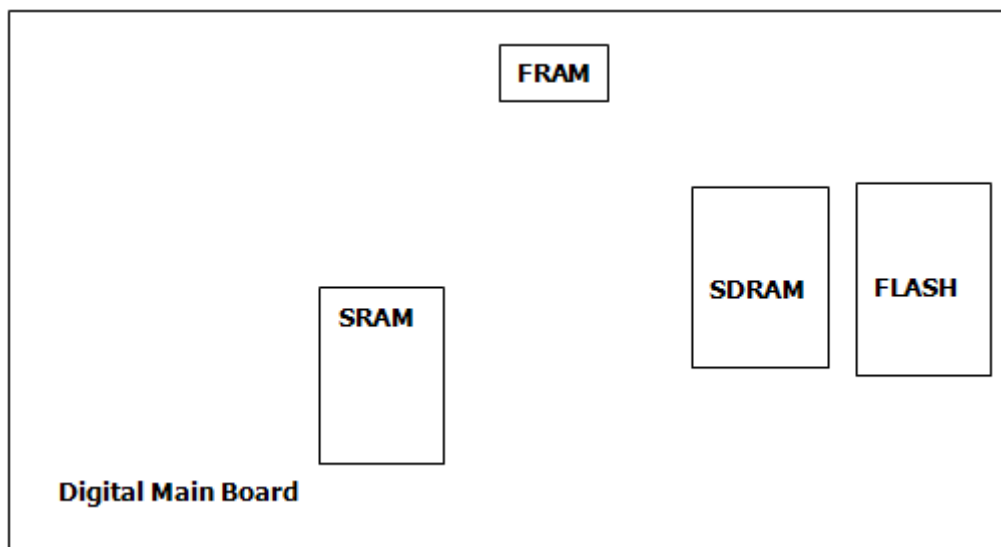
Instrument Memory

This section contains information on the types of memory available in your instrument. It explains the size of memory, how it is used, its location, volatility and the clearing procedure.

Instrument memory:

Memory type and size	Writable during normal operation	Data retained when powered off	Purpose/ contents	Data input method	Location in instrument and remarks	Sanitization procedure
SDRAM 16MB	Yes	No	Program	Boot	Main board in CPU area	Cycle power
NOR FLASH 8MB	No	Yes	Firmware, Bin, Internal saving	Firmware update, Internal saving, ref/setup/ pf/record /wfm	Main board in CPU area	Save files to inter
FRAM 1kB	Yes	Yes	Settings	Program	Main board in CPU area	Default
SRAM 512kB	Yes	No	wfm points	Acquire	Main board in acquire area	Cycle power

Position of Instrument Memory on Main Board



DS1000D Series

DS1000D series digital oscilloscope consists of DS1102D and DS1052D.

Instrument Memory

This section contains information on the types of memory available in your instrument. It explains the size of memory, how it is used, its location, volatility and the clearing procedure.

Instrument memory:

Memory type and size	Writable during normal operation	Data retained when powered off	Purpose/ contents	Data input method	Location in instrument and remarks	Sanitization procedure
SDRAM 16MB	Yes	No	Program	Boot	Main board in CPU area	Cycle power
NOR FLASH 8MB	No	Yes	Firmware, Bin, Internal saving	Firmware update, Internal saving, ref/setup /pf/ record /wfm	Main board in CPU area	Save files to inter
FRAM 1kB	Yes	Yes	Settings	Program	Main board in CPU area	Default
SRAM 512kB	Yes	No	wfm points	Acquire	Main board in acquire area	Cycle power
SRAM 512kB	Yes	No	LA points	Acquire	Main board in acquire area	Cycle power

Position of Instrument Memory on Main Board

